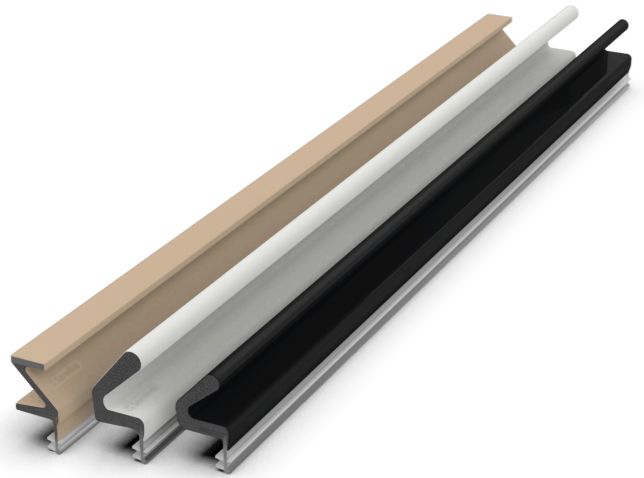


Tek-Lon[®] weather stripping technology

The Tek-Lon line of weatherstripping was developed by Servitek after more than **30 years of experience** in the door and window industry, commercializing various materials and shapes. These weatherstripping products, made of open cell foam wrapped in a sheath, first appeared in the 1960s. They are mainly used on exterior entry or garage doors to **prevent air infiltration and reduce heat loss.**

Servitek's engineering team's experience has allowed them to improve products over the years, carefully selecting materials and manufacturing processes to offer the market products with **unique performance** and **exceptional durability.**



We like to say that a door or a window is only as strong as its weatherstripping. That's why we're proud to support our industry with **high-quality products.**



All the weatherstripping products we develop specifically for our customers can pass AAMA 702-23 Class A certification if the application requires it and the volume justifies it.

Benefits and features

Comfortable to use thanks to the low compression force required by its highly flexible open cell foam.

Aesthetically pleasing, thanks to its memory foam, which returns to its original shape even after being compressed for a long time, and to its cover, designed to resist everyday aggressions: weather, dust, paint, detergents and dyes. It is therefore easy to clean with standard cleaning products.

High-performance : Tek-Lon weatherstripping offers the best thermal performance on the market due to its very low thermal conductivity: (0.042 W/m-K at 0°C), 3 to 6 times higher than that of other materials: EPDM 0.25 W/(m-K), PVC 0.14 W/(m-K).

Stable : little or no elongation due to rigid TPE insert.

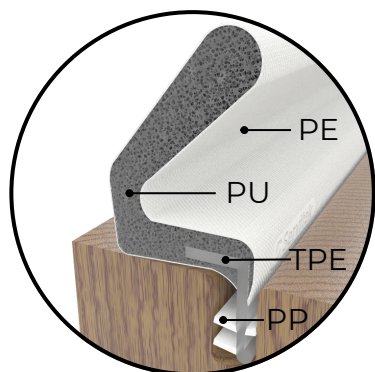
Quiet : excellent acoustic insulation due to high compression capacity: up to 4 dB additional noise reduction compared to extruded gaskets.

Resistant : Not affected by rot, fungus or UV rays.

Versatile : works in extreme cold and hot climates, and is available in different base types to suit wood, PVC and aluminum windows and doors, in compression and sliding applications.

Durable : In addition to Servitek's 10-year limited warranty on the Tek-Lon line for residential use, the life expectancy is estimated at 25 years and can be easily replaced.

Materials

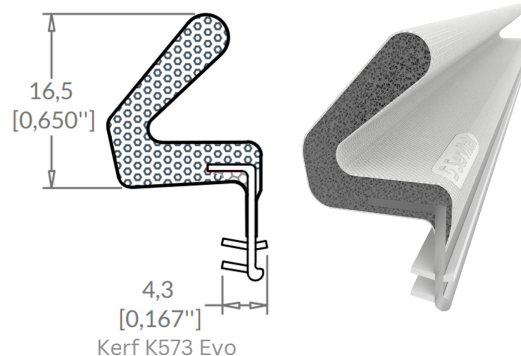


- **Polyethylene** (PE) coating for waterproofing and long-term wear resistance
- Open cell **Polyurethane** (PU) foam for thermal and acoustic insulation
- **Thermoplastic elastomer** (TPE) anchoring for stable support and limited elongation or shrinkage
- Flexible **Polypropylene** (PP) anchoring strips to hold weatherstripping in place while allowing for easy replacement

Range of compression weatherstrips for doors,
for 2.5mm to 3.5mm (3/32 to 5/32 inches) wide saw slots

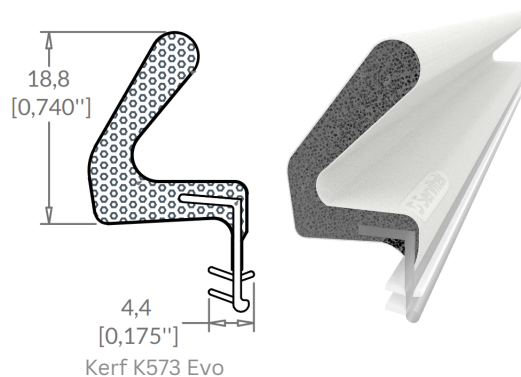
Tek-Lon® 650

Length	Qty / Box	Part #			
		White ○	Black ●	Brown ●	Beige ○
37"	250	#191040	#628566	#891002	*
83"	125	#727606	#751594	#375973	#538190
97"	125	#784205	#701643	#806852	*
144"	125	#148910	#672118	#577687	*



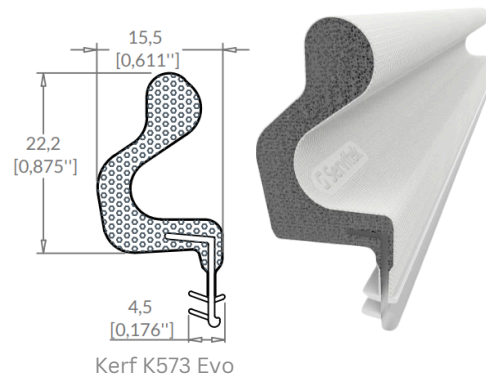
Tek-Lon® 740

Length	Qty / Box	Part #			
		White ○	Black ●	Brown ●	Beige ○
37"	250	#460771	#280928	*	*
83"	125	#546175	#927013	#312139	#168990
97"	125	#209260	#135424	*	*
144"	125	#286348	#594282	*	*



Tek-Lon® 875

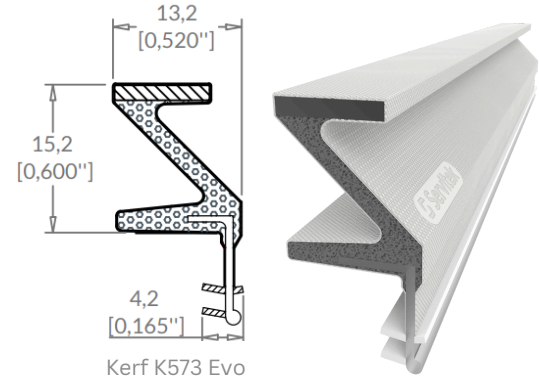
Length	Qty / Box	Part #			
		White ○	Black ●	Brown ●	Beige ○
37"	250	*	*	*	*
83"	125	#412296	#919689	*	*
97"	125	#770906	#870622	*	*
144"	125	#180298	#126932	*	*



Range of magnetic weatherstrips for doors,
for 2.5mm to 3.5mm (3/32 to 5/32 inches) wide saw slots

Tek-Lon® PH2 MAG

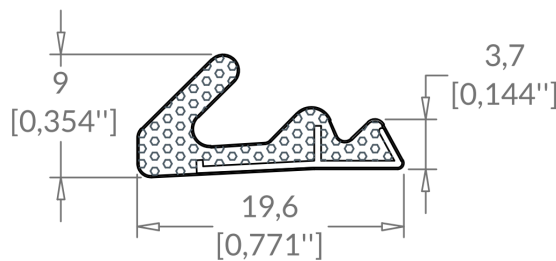
Length	Qty / Box	Part #			
		White ○	Black ●	Brown ●	Beige ○
37"	250	#383634	#356845	#806391	#348414
83"	125	#339195	#911867	#286513	#965407
97"	125	#116174	#513797	#163411	*
144"	125	*	*	*	*



Range of compression weatherstrips for doors,
for 2.7mm to 3mm wide saw slots

Tek-Lon® AQ124

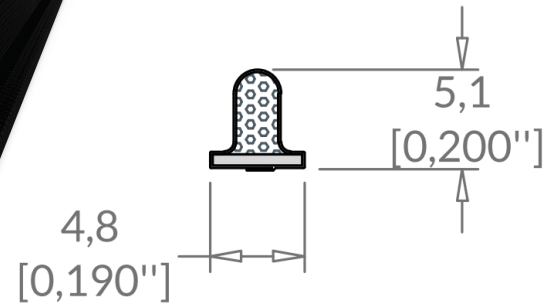
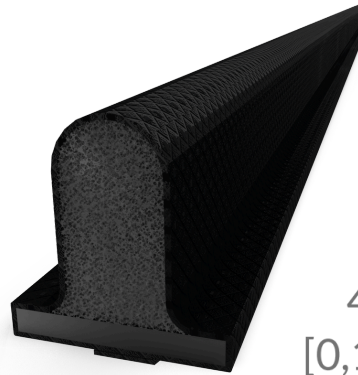
Part #	Length [m]	Color
# 575721	2 x 125	Black ●



Range of T-slot interior door silencers

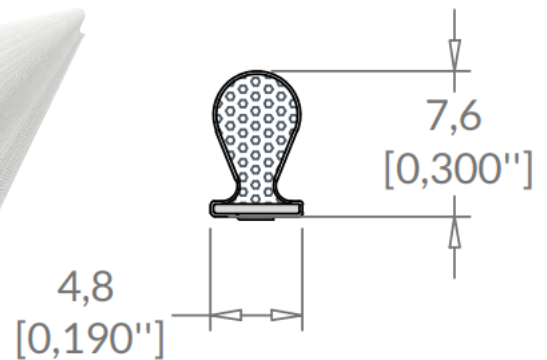
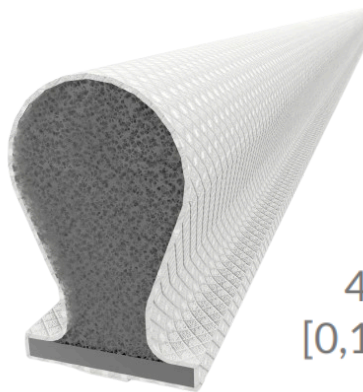
Tek-Lon® Q200T190

Part #	Length [m]	Color
#549264	2 x 600	Black ●



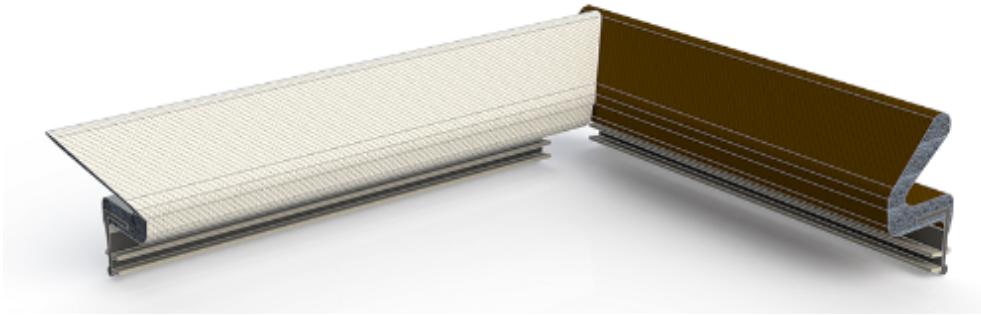
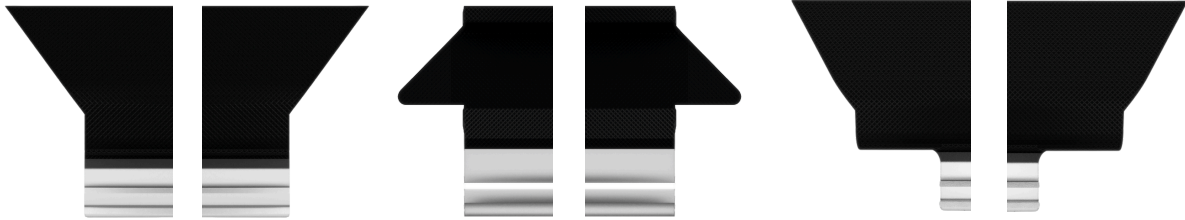
Tek-Lon® Q300T190

Part #	Length [m]	Color
#938938	2 x 500	Black ●
# 371144	2 x 500	White ○



We can develop any shape, color or base type.
Don't hesitate to contact us, and we will help you find the right product for your application and budget.

Optional: custom-cut ends for corners



Option: choice of kerf type

